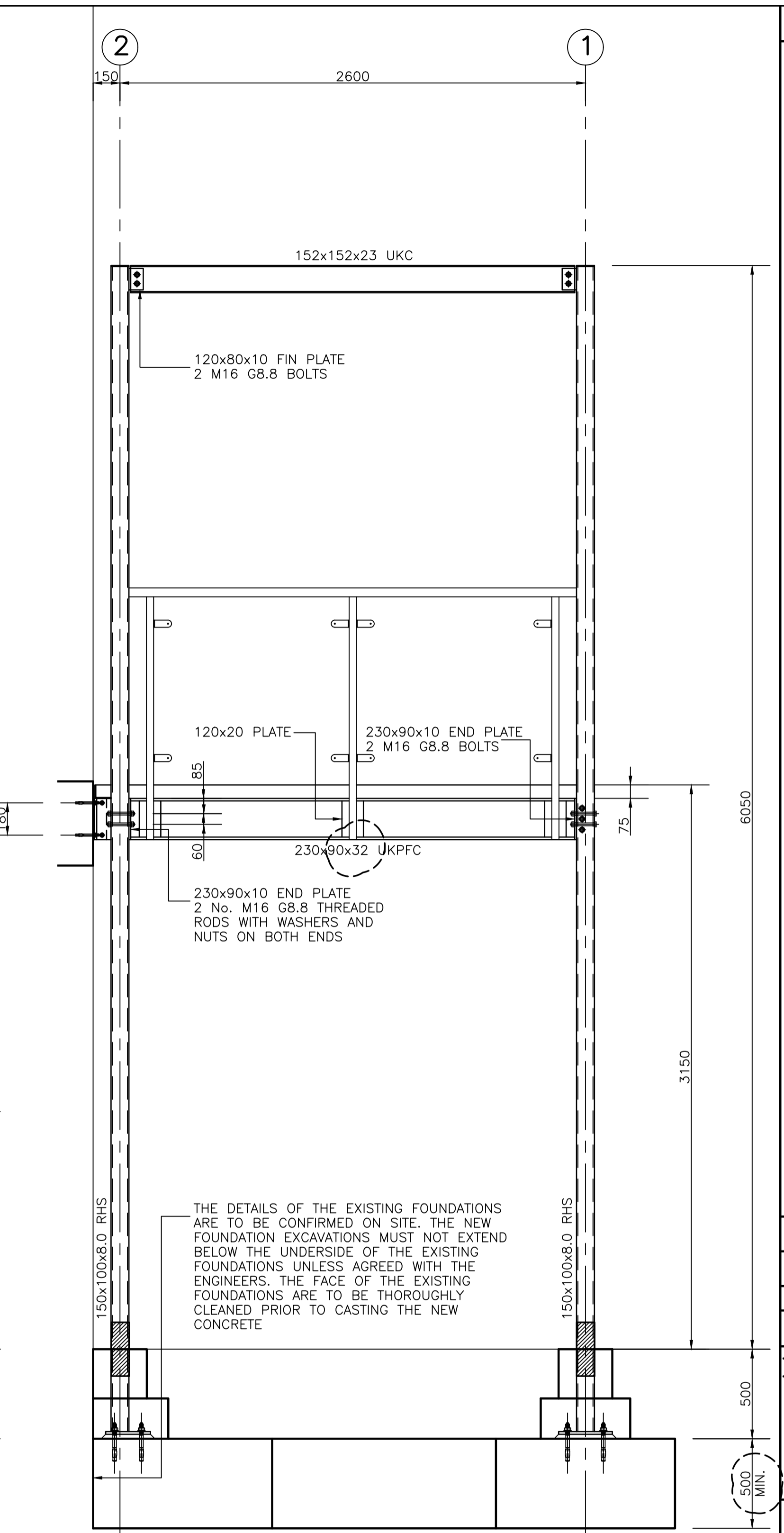
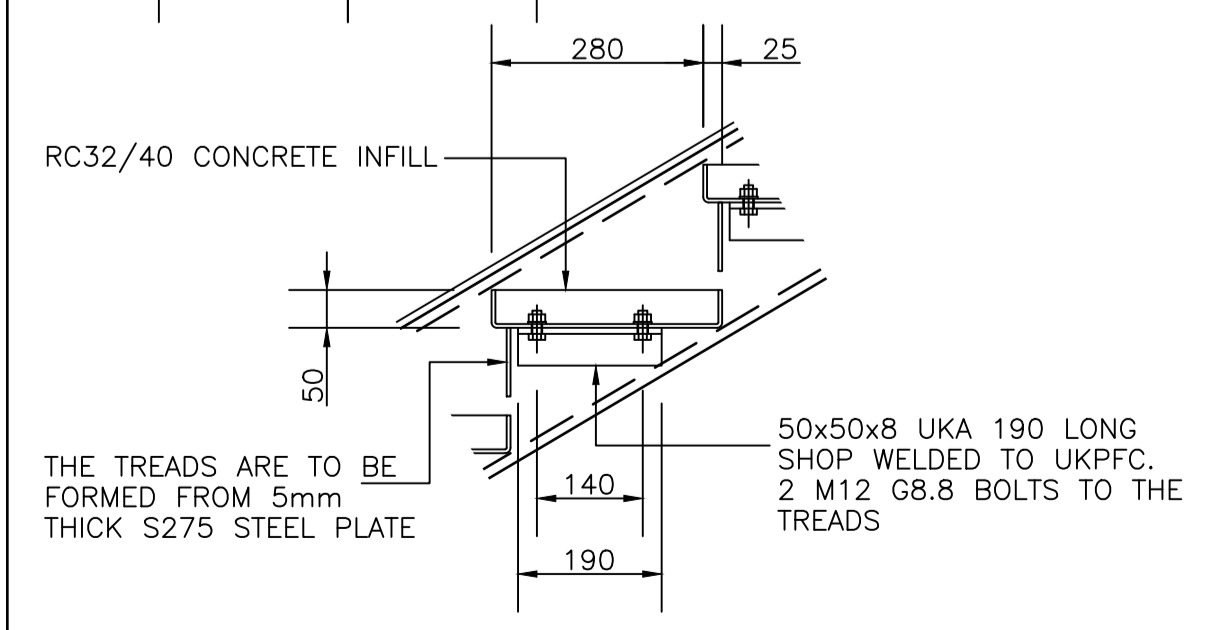


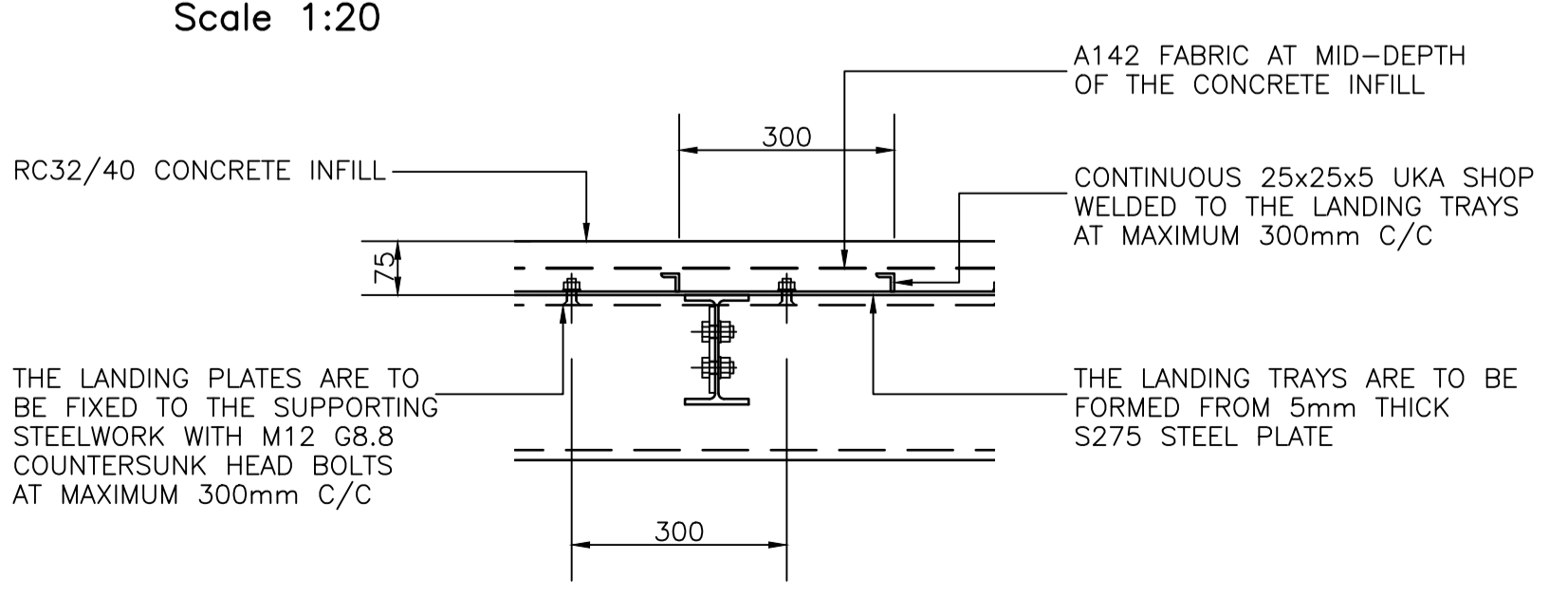
SECTION GRID LINE 2
Scale 1:20



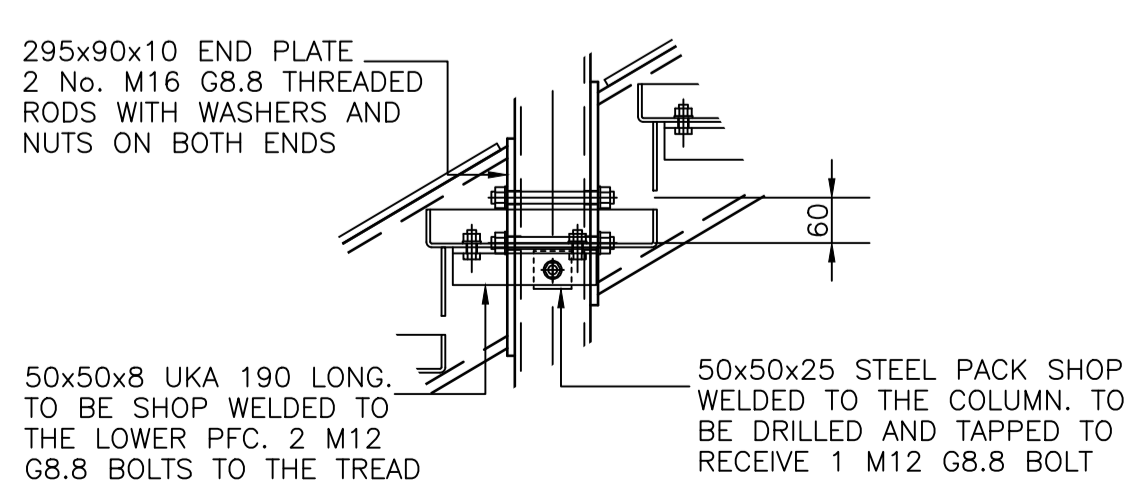
ELEVATION GRID LINE A
Scale 1:20



TYPICAL DETAIL 1
Scale 1:10
TYPICAL TREAD DETAIL



TYPICAL DETAIL 2
Scale 1:10
TYPICAL LANDING DETAIL



TYPICAL DETAIL 3
Scale 1:10

- NOTES**
- THIS DRAWING IS TO BE READ IN CONJUNCTION WITH ALL OTHER RELEVANT ARCHITECTS AND ENGINEERS DRAWINGS, DETAILS AND SPECIFICATIONS.
 - THIS DRAWING MUST NOT BE SCALED.
 - ALL DIMENSIONS ARE IN MILLIMETRES UNLESS NOTED OTHERWISE.
 - ALL DIMENSIONS AND DETAILS MUST BE CHECKED ON SITE DURING THE COURSE OF THE WORKS.
 - ALL WORKS ARE TO BE UNDERTAKEN IN ACCORDANCE WITH THE BUILDING REGULATIONS AND THE LATEST BRITISH STANDARDS.
 - ALL PROPRIETARY MATERIALS AND PRODUCTS ARE TO BE USED IN STRICT ACCORDANCE WITH THE MANUFACTURERS RECOMMENDATIONS.
 - FOR SETTING OUT DIMENSIONS SEE THE ARCHITECTS DRAWINGS.
 - FOR SPECIFICATION NOTES SEE DRAWING NUMBER K34.12/1.

C	WEIGHT OF UKPFC CORRECTED. DEPTH OF FOUNDATIONS CORRECTED.	RH	16.6.16
B	HANDRAILS OMITTED AND UKA ADDED TO GROUND FLOOR FLIGHT SECTION GRID LINE 2.		17.5.16
A	DETAILS AND ANNOTATION ADDED.		5.5.16
REV.	DESCRIPTION	CHKD.	DATE

Richard Herrmann Associates Ltd
Consulting Engineers
THE OLD CHAPEL, FERRARS ROAD, HUNTINGDON, CAMBS PE29 3DH
Telephone 01480 455179 www.rhaconsult.co.uk
Fax 01480 450775 e-mail: office@rhaconsult.co.uk

CLIENT

PROJECT
NEW EXTERNAL STAIRCASE

DRAWING TITLE
PROPOSED SECTION GRID LINE 2 AND ELEVATION GRID LINE A

DRAWING ISSUE STATUS			
PRELIMINARY	<input type="checkbox"/>	INFORMATION	<input type="checkbox"/>
TENDER	<input type="checkbox"/>	CONSTRUCTION	<input checked="" type="checkbox"/>
APPROVAL	<input type="checkbox"/>	RECORD	<input type="checkbox"/>
PRE-TENDER C.D.M. CHECK	MAB	ISSUE TO H&S FILE	
DRAWN	MAB	CHKD.	RH
APPRVD.		APPRVD.	RH
SCALES	1:20	1:10	DATE
DRAWING No.	K34.12/2		REVISION
			C

Richard Herrmann Associates Ltd. owns the copyright of this drawing, which must not be reproduced in whole or part without the written permission of Richard Herrmann Associates Ltd.